

## GENERAL-PURPOSE MICRO SWITCHES Z-15 SERIES

### Specifications

Operating Speed	0.01mm-1m/sec
Operating Frequency	Mechanical: 240ops/min Electrical: 20 ops/min
Insulation Resistance	>100MΩ@500V DC
Contact Resistance	<15mΩ
Rated Current/Voltage	15A,125/250/480VAC;3/4HP/125VAC 1.5HP/250VAC (UL file E321073)
Dielectric Strength	1000VAC for 1 min between current carrying parts 2500VAC for 1 min between non-current carrying parts
Service Life	Mechanically 1.0 x 10 <sup>7</sup> (operations) Electrically 5 x 10 <sup>5</sup> (operations)
Operating Temperature	-40~+105°C (-40~221°F) High temp. model available up to 204°C (400°F)
Humidity	35-85%RH / 35-95%RH for -55 sealed version
Degree of Protection	IP40 / IP64 for -55 sealed version

### Definitions of Operating Characteristics

OF	Operating Force	PT	Pretravel
RF	Releasing Force	MD	Movement Differential
OT	Overtravel	OP	Operating Position
TT	Total Travel		

### Rated indicators Z-15G

Operating voltage	Non-inductive load (A)				Inductive load (A)			Inrush current		
	Resistive load		Bulb load		Inductive load		Motor load		NC	NO
	NC	NO	NC	NO	NC	NO	NC	NO		
125 VAC	15	3	1.5	15	5	2.5	30 Max	15 Max		
250 VAC	15	2.5	1.25	15	3	1.5				
500 VAC	10	1.5	0.75	6	1.5	0.75				
8 VDC	15	3	1.5	15	5	2.5				
14 VDC	15	3	1.5	10	5	2.5				
30 VDC	6	3	1.5	5	5	2.5				
125 VDC	0.5	0.5	0.5	0.05	0.05	0.05				
250 VDC	0.25	0.25	0.25	0.03	0.03	0.03				

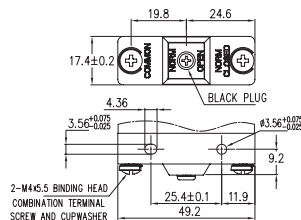
### Selection Guide:

Z -	<b>15</b>	<b>G</b>	-	-	-	-	-	-	*
	Current	Actuating Style		Sealing	Contact Material	Reset	Terminal Style	See Page 8 for Details	Circuitry
	<b>15</b> 15A			<b>None</b> Standard	<b>None</b> Silver	<b>None</b> No Reset	<b>None</b> Screw terminal		<b>none</b> 1NO/1NC
	<b>20</b> 20A			<b>55</b> Sealed	<b>K</b> Plated gold	<b>R</b> Resettable with spring overtravel	<b>P0</b> Screw on soldering tab		<b>X</b> 1NC
	<b>25</b> 25A					<b>R1</b> Short reset	<b>P1</b> Screw on soldering tab		<b>Y</b> 1NO
						<b>R2</b> Long reset	<b>P2</b> Screw on soldering tab		
							<b>P3</b> Screw terminal P3		
							<b>P4</b> Screw terminal P4		
							<b>P5</b> Screw terminal P5		
							<b>P6</b> Screw terminal P6		
							<b>P7</b> Screw terminal P7		
							<b>P8</b> Terminal Potted		
							<b>D6</b> QC terminal		
							<b>Q2</b> 30° QC terminal		
							<b>S1</b> Screw Terminal		

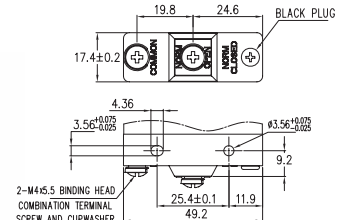
\*add (US) as suffix to have US standard ø3.55 mounting holes

### Circuitry:

#### -X 1NC only



#### -Y 1NO only



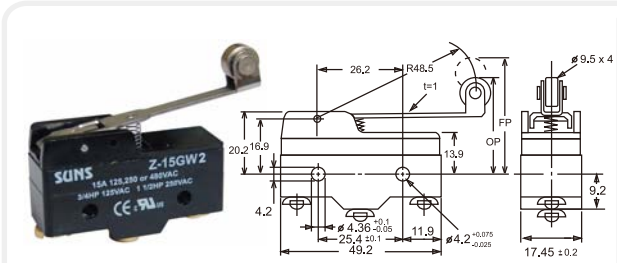
## GENERAL-PURPOSE MICRO SWITCHES

### Z-15 SERIES

Product Dimensions Unit: mm

<p><b>Z-15G</b></p> <p><b>Operating Characteristics</b></p> <ul style="list-style-type: none"> <li>• OF<sub>max</sub> 3.43N</li> <li>• RF<sub>min</sub> 1.12N</li> <li>• PT<sub>max</sub> 0.4mm</li> <li>• OT<sub>min</sub> 0.13mm</li> <li>• MD<sub>max</sub> 0.05mm</li> <li>• OP 15.9±0.4mm</li> </ul>	<p><b>Z-15GD</b></p> <p><b>Operating Characteristics</b></p> <ul style="list-style-type: none"> <li>• OF<sub>max</sub> 3.43N</li> <li>• RF<sub>min</sub> 1.12N</li> <li>• PT<sub>max</sub> 0.4mm</li> <li>• OT<sub>min</sub> 1.6mm</li> <li>• MD<sub>max</sub> 0.05mm</li> <li>• OP 21.5±0.5mm</li> </ul>
<p><b>Z-15GS</b></p> <p><b>Operating Characteristics</b></p> <ul style="list-style-type: none"> <li>• OF<sub>max</sub> 3.43N</li> <li>• RF<sub>min</sub> 1.12N</li> <li>• PT<sub>max</sub> 0.4mm</li> <li>• OT<sub>min</sub> 1.6mm</li> <li>• MD<sub>max</sub> 0.05mm</li> <li>• OP 28.2±0.6mm</li> </ul>	<p><b>Z-15GQ</b></p> <p><b>Operating Characteristics</b></p> <ul style="list-style-type: none"> <li>• OF<sub>max</sub> 3.43N</li> <li>• RF<sub>min</sub> 1.12N</li> <li>• PT<sub>max</sub> 0.4mm</li> <li>• OT<sub>min</sub> 5.5mm</li> <li>• MD<sub>max</sub> 0.05mm</li> <li>• OP 21.8±0.8mm</li> </ul>
<p><b>Z-15GQ21</b></p> <p><b>Operating Characteristics</b></p> <ul style="list-style-type: none"> <li>• OF<sub>max</sub> 3.43N</li> <li>• RF<sub>min</sub> 1.12N</li> <li>• PT<sub>max</sub> 0.4mm</li> <li>• OT<sub>min</sub> 3.58mm</li> <li>• MD<sub>max</sub> 0.05mm</li> <li>• OP 33.4±1.2mm</li> </ul>	<p><b>Z-15GQ22</b></p> <p><b>Operating Characteristics</b></p> <ul style="list-style-type: none"> <li>• OF<sub>max</sub> 3.43N</li> <li>• RF<sub>min</sub> 1.12N</li> <li>• PT<sub>max</sub> 0.4mm</li> <li>• OT<sub>min</sub> 3.58mm</li> <li>• MD<sub>max</sub> 0.05mm</li> <li>• OP 33.4±1.2mm</li> </ul>
<p><b>Z-15GW</b></p> <p><b>Operating Characteristics</b></p> <ul style="list-style-type: none"> <li>• OF<sub>max</sub> 0.69N</li> <li>• RF<sub>min</sub> 0.14N</li> <li>• PT<sub>max</sub> 10mm</li> <li>• OT<sub>min</sub> 5.6mm</li> <li>• MD<sub>max</sub> 2mm</li> <li>• FP<sub>max</sub> 28.2mm</li> <li>• OP 19.1±0.7mm</li> </ul>	<p><b>Z-15GW1</b></p> <p><b>Operating Characteristics</b></p> <ul style="list-style-type: none"> <li>• OF<sub>max</sub> 1.03N</li> <li>• RF<sub>min</sub> 0.21N</li> <li>• PT<sub>max</sub> 6.6mm</li> <li>• OT<sub>min</sub> 3.7mm</li> <li>• MD<sub>max</sub> 0.85mm</li> <li>• FP<sub>max</sub> 24.5mm</li> <li>• OP 18.4±0.5mm</li> </ul>

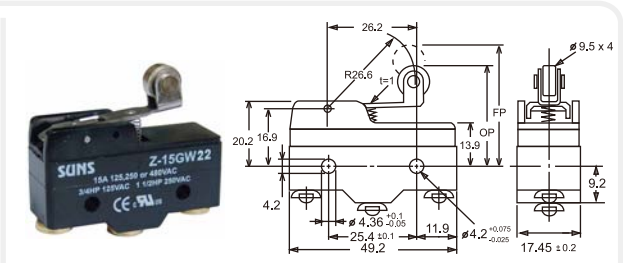
## GENERAL-PURPOSE MICRO SWITCHES Z-15 SERIES



### Z-15GW2

#### Operating Characteristics

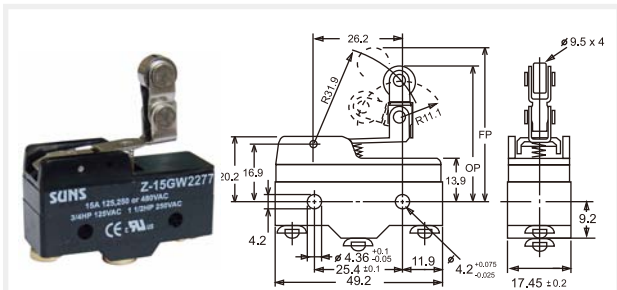
- OF<sub>max</sub> 0.98N
- RF<sub>min</sub> 0.21N
- PT<sub>max</sub> 7.1mm
- OT<sub>min</sub> 4mm
- MD<sub>max</sub> 1.02mm
- FP<sub>max</sub> 36.5mm
- OP 30.2±0.8mm



### Z-15GW22

#### Operating Characteristics

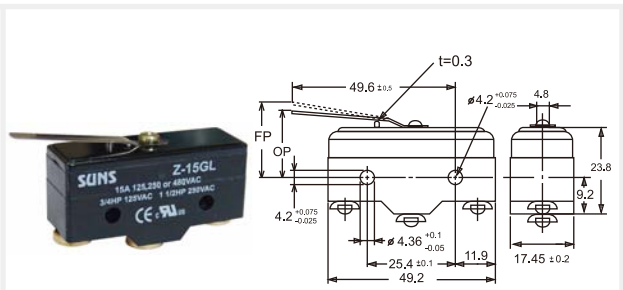
- OF<sub>max</sub> 1.57N
- RF<sub>min</sub> 0.41N
- PT<sub>max</sub> 2.7mm
- OT<sub>min</sub> 2.4
- MD<sub>max</sub> 0.8mm
- FP<sub>max</sub> 32.5mm
- OP 30.2±0.4mm



### Z-15GW2277

#### Operating Characteristics

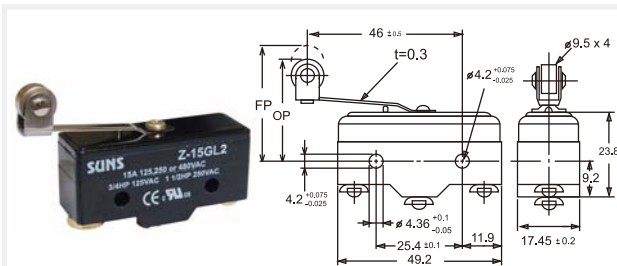
- OF<sub>max</sub> 1.67N
- RF<sub>min</sub> 0.41N
- PT<sub>max</sub> 3mm
- OT<sub>min</sub> 2.4mm
- MD<sub>max</sub> 0.8mm
- FP<sub>max</sub> 43.5mm
- OP 41.3±0.8mm



### Z-15GL

#### Operating Characteristics

- OF<sub>max</sub> 1.47N
- RF<sub>min</sub> 0.14N
- PT<sub>max</sub> 4mm
- OT<sub>min</sub> 1.6mm
- MD<sub>max</sub> 1.3mm
- FP 20.6mm
- OP 17.4±0.8mm

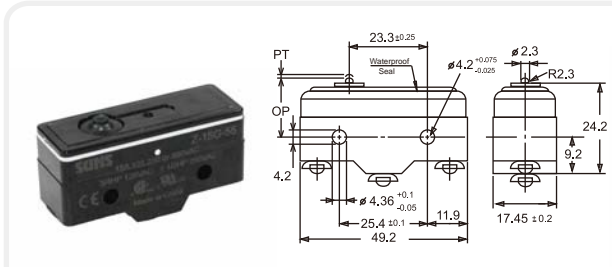


### Z-15GL2

#### Operating Characteristics

- OF<sub>max</sub> 1.47N
- RF<sub>min</sub> 0.14N
- OT<sub>min</sub> 1.6mm
- PT<sub>max</sub> 4mm
- MD<sub>max</sub> 1.3mm
- FP 31.8mm
- OP 28.6±0.8mm

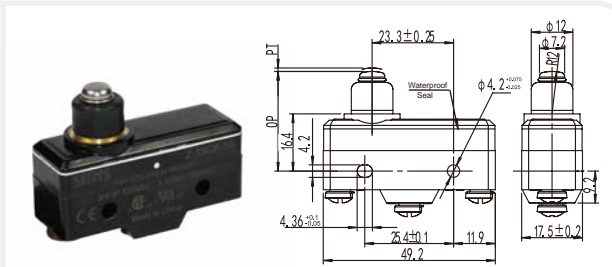
## GENERAL-PURPOSE MICRO SWITCHES Z-15 SERIES(SEALED TO IP64)



### Z-15G-55

#### Operating Characteristics

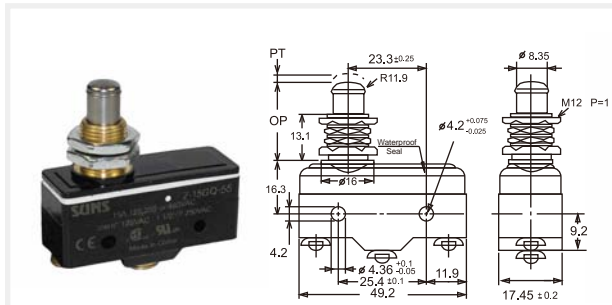
- OF<sub>max</sub> 3.43N
- RF<sub>min</sub> 1.12N
- PT<sub>max</sub> 0.4mm
- OT<sub>min</sub> 0.13mm
- MD<sub>max</sub> 0.05mm
- OP 15.9±0.4mm



### Z-15GK-55

#### Operating Characteristics

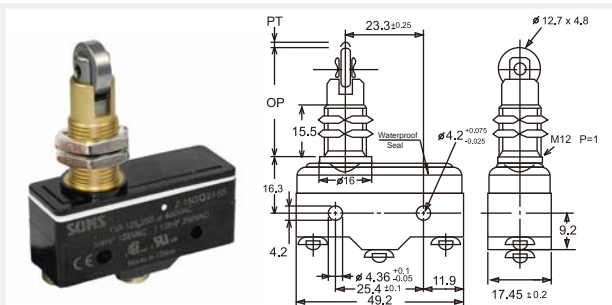
- OF<sub>max</sub> 5.3N
- RF<sub>min</sub> 1.11N
- OT<sub>min</sub> 1.6mm
- PT<sub>max</sub> 2.3mm
- MD<sub>max</sub> 0.06mm
- OP 28.2±0.5mm



### Z-15GQ-55

#### Operating Characteristics

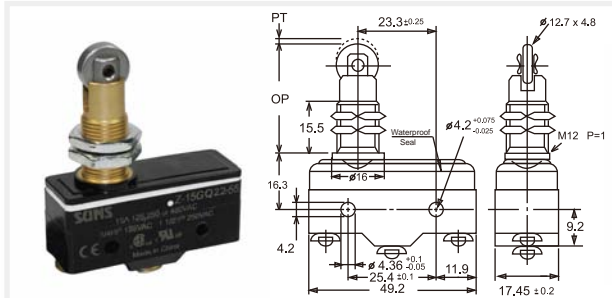
- OF<sub>max</sub> 3.43N
- RF<sub>min</sub> 1.12N
- PT<sub>max</sub> 0.4mm
- OT<sub>min</sub> 5.5mm
- MD<sub>max</sub> 0.05mm
- OP 21.8±0.8mm



### Z-15GQ21-55

#### Operating Characteristics

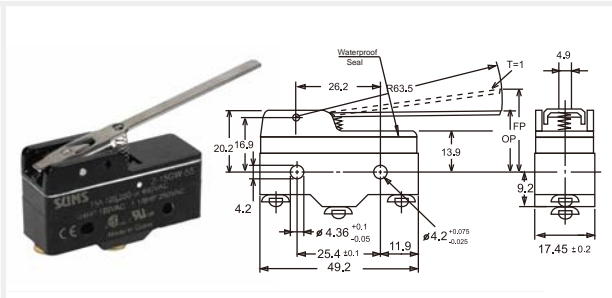
- OF<sub>max</sub> 3.43N
- RF<sub>min</sub> 1.12N
- PT<sub>max</sub> 0.4mm
- OT<sub>min</sub> 3.58mm
- MD<sub>max</sub> 0.05mm
- OP 33.4±1.2mm



### Z-15GQ22-55

#### Operating Characteristics

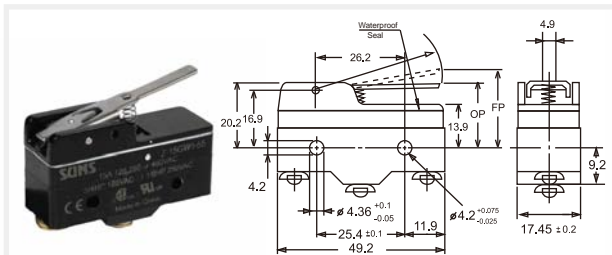
- OF<sub>max</sub> 3.43N
- RF<sub>min</sub> 1.12N
- PT<sub>max</sub> 0.4mm
- OT<sub>min</sub> 3.58mm
- MD<sub>max</sub> 0.05mm
- OP 33.4±1.2mm



### Z-15GW-55

#### Operating Characteristics

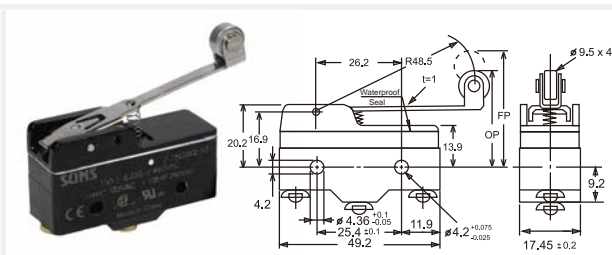
- OF<sub>max</sub> 0.69N
- RF<sub>min</sub> 0.14N
- PT<sub>max</sub> 10mm
- OT<sub>min</sub> 5.6mm
- MD<sub>max</sub> 2mm
- FP<sub>max</sub> 28.2mm
- OP 19.1±0.7mm



### Z-15GW1-55

#### Operating Characteristics

- OF<sub>max</sub> 1.03N
- RF<sub>min</sub> 0.21N
- PT<sub>max</sub> 6.6mm
- OT<sub>min</sub> 3.7mm
- MD<sub>max</sub> 0.85mm
- FP<sub>max</sub> 24.5mm
- OP 18.4±0.5mm

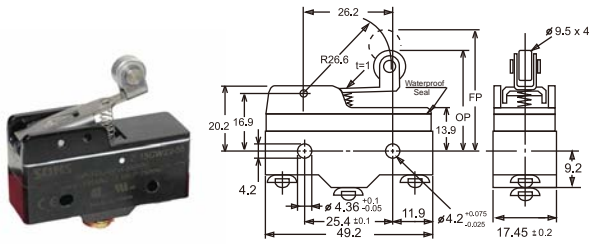


### Z-15GW2-55

#### Operating Characteristics

- OF<sub>max</sub> 0.98N
- RF<sub>min</sub> 0.21N
- PT<sub>max</sub> 7.1mm
- OT<sub>min</sub> 4mm
- MD<sub>max</sub> 1.02mm
- FP<sub>max</sub> 36.5mm
- OP 30.2±0.8mm

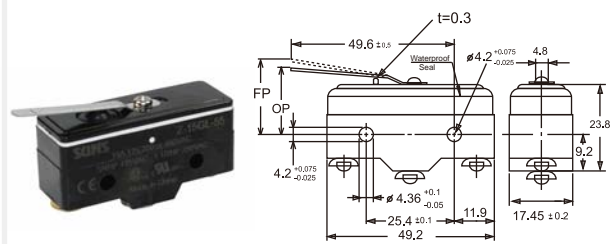
## GENERAL-PURPOSE MICRO SWITCHES Z-15 SERIES(SEALED TO IP64)



### Z-15GW22-55

#### Operating Characteristics

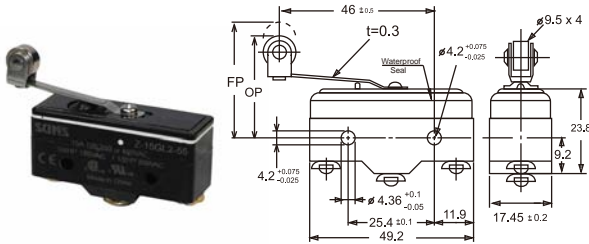
- OF<sub>max</sub> 1.57N
- RF<sub>min</sub> 0.41N
- PT<sub>max</sub> 2.7mm
- OT<sub>min</sub> 2.4
- MD<sub>max</sub> 0.8mm
- OP 30.2±0.4mm
- FP<sub>max</sub> 32.5mm



### Z-15GL-55

#### Operating Characteristics

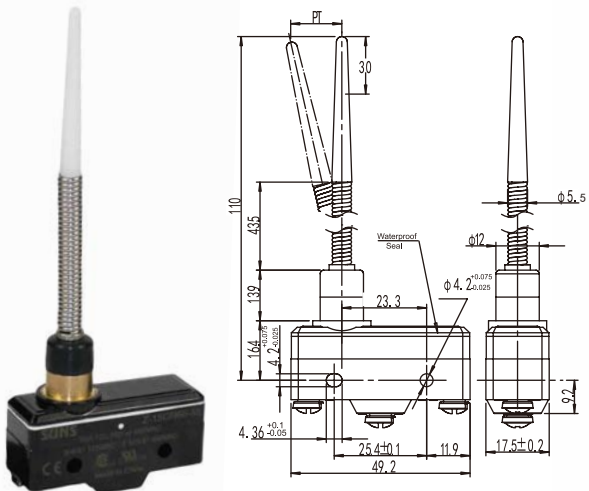
- OF<sub>max</sub> 1.47N
- RF<sub>min</sub> 0.14N
- PT<sub>max</sub> 4mm
- OT<sub>min</sub> 1.6mm
- MD<sub>max</sub> 1.3mm
- OP 17.4±0.8mm
- FP 20.6mm



### Z-15GL2-55

#### Operating Characteristics

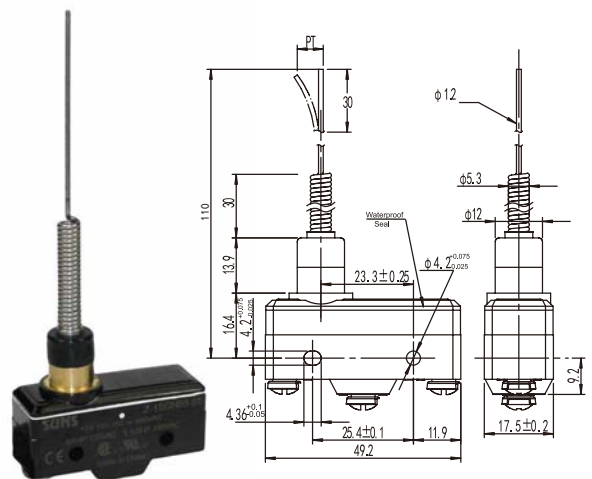
- OF<sub>max</sub> 1.47N
- RF<sub>min</sub> 0.14N
- OT<sub>min</sub> 1.6mm
- PT<sub>max</sub> 4mm
- MD<sub>max</sub> 1.3mm
- OP 28.6±0.8mm
- FP 31.8mm



### Z-15GN66-55

#### Operating Characteristics

- OF<sub>max</sub> 0.7N
- PT<sub>max</sub> 25mm



### Z-15GN69-55

#### Operating Characteristics

- OF<sub>max</sub> 0.7N
- PT<sub>max</sub> 25mm

## GENERAL-PURPOSE MICRO SWITCHES Z-20,Z-25 SERIES

### Specifications

Operating Speed	0.01mm-1m/sec
Operating Frequency	Mechanical: 240ops/min Electrical: 20 ops/min
Insulation Resistance	>100MΩ@500V DC
Contact Resistance	<15mΩ
Rated Current/Voltage	20A/25A, 125/250/480VAC; 1-1/2HP/125VAC 2HP/250VAC (UL file E321073)
Dielectric Strength	1000VAC for 1 min between current carrying parts 2500VAC for 1 min between non-current carrying parts
Service Life	Mechanically 1.0 x 10 <sup>7</sup> (operations) Electrically 5 x 10 <sup>5</sup> (operations)
Operating Temperature	-40~+105°C (-40~221°F)
Humidity	35-85%RH / 35-95%RH for -55 sealed version
Degree of Protection	IP40 / IP64 for -55 sealed version

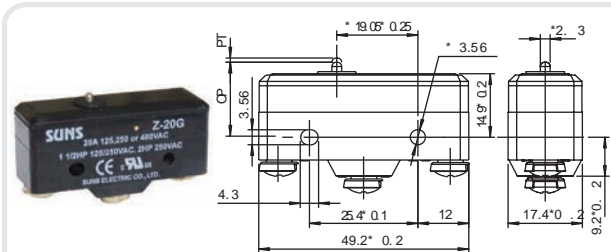
### Definitions of Operating Characteristics

OF	Operating Force	PT	Pretravel
RF	Releasing Force	MD	Movement Differential
OT	Overtravel	OP	Operating Position
TT	Total Travel	PO	Travel to Positive Opening

### Rated indicators

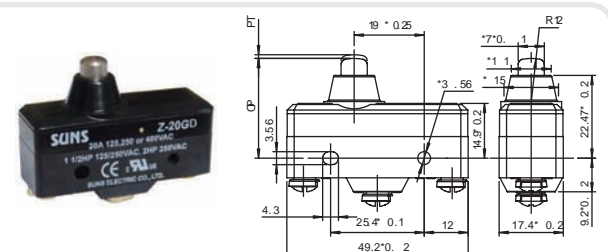
Operating voltage	Non-inductive load (A)				Inductive load (A)			
	Resistive load		Bulb load		Inductive load		Motor load	
	NC	NO	NC	NO	NC	NO	NC	NO
125 VAC	20(25)	20(25)	7.5	7.5	20(25)	20(25)	12.5	12.5
250 VAC	20(25)	20(25)	7.5	7.5	20(25)	20(25)	8.3	8.3
500 VAC	15	15	4	4	10	10	2	2
8 VDC	20(25)	20(25)	3	1.5	20(25)	20(25)	12.5	12.5
14 VDC	20(25)	20(25)	3	1.5	15	15	12.5	12.5
30 VDC	6	6	3	1.5	5	5	5	5
125 VDC	0.5	0.5	0.5	0.5	0.05	0.05	0.05	0.05
250 VDC	0.25	0.25	0.25	0.25	0.03	0.03	0.03	0.03
Inrush current	NC:75A max. NO:75A max				NC:75A approx. NO:75A max			

### Dimensions Unit: mm



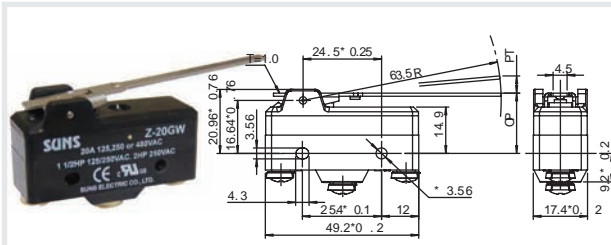
### Z-20G & Z-25G Operating Characteristics

● CF	3.89*6. 11N	● OT(Min)	0.25mm
● RF(Min)	2.78N	● MD	0.05*0 .2mm
● PT(Max)	1.3mm	● CP	16.27*0.4m



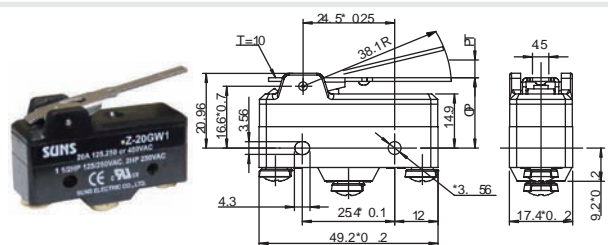
### Z-20GD & Z-25GD Operating Characteristics

● CF	3.89*6. 11N	● OT(Min)	3.0mm
● RF(Min)	2.78N	● MD	0.05*0 .2mm
● PT(Max)	1.3mm	● CP	26.2*0.5m



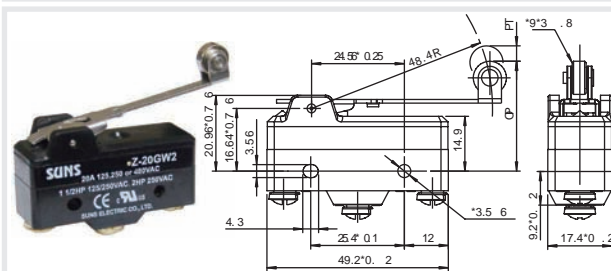
### Z-20GW & Z-25GW Operating Characteristics

● OF(Max)	0.7N	● OT(Min)	1.98mm
● RF(Min)	0.14N	● MD(Max)	2.77mm
● PT(Max)	15.9mm	● CP	19.1*0.8m



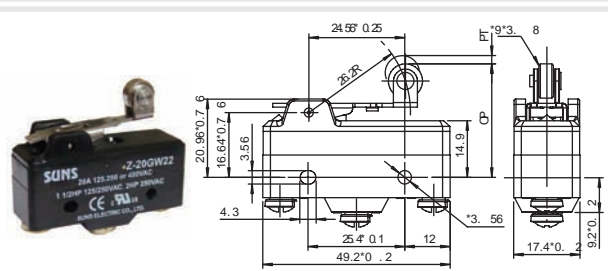
### Z-20GW1 & Z-25GW1 Operating Characteristics

● CF(Max)	1.6N	● OT(Min)	1.2mm
● RF(Min)	0.4N	● MD(Max)	1.2mm
● PT(Max)	6.5mm	● CP	19.1*0. 8mm



### Z-20GW2 & Z-25GW2 Operating Characteristics

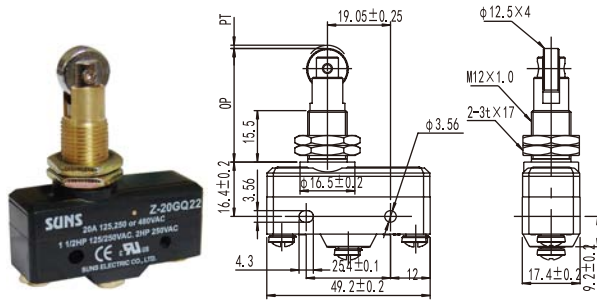
● CF(Max)	0.97 N	● OT(Min)	1.52 mm
● RF(Min)	0.14 N	● MD(Max)	2.16mm
● PT(Max)	11.9mm	● CP	30.2*0. 8mm



### Z-20GW22 & Z-25GW22 Operating Characteristics

● CF(Max)	1.67N	● OT(Min)	0.76mm
● RF(Min)	0.42N	● MD(Max)	1.14mm
● PT(Max)	6.35mm	● CP	30.2*0.8 mm

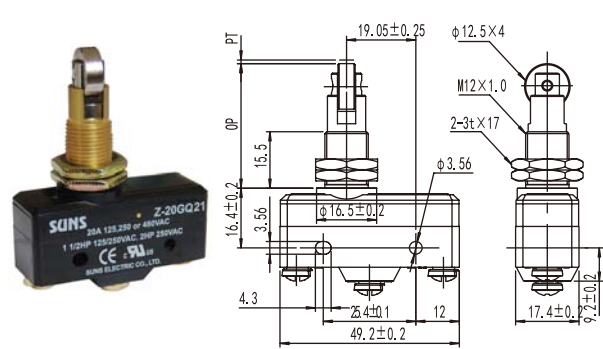
## GENERAL-PURPOSE MICRO SWITCHES Z-20,Z-25 SERIES



### Z-20GQ22 & Z-25GQ22

#### Operating Characteristics

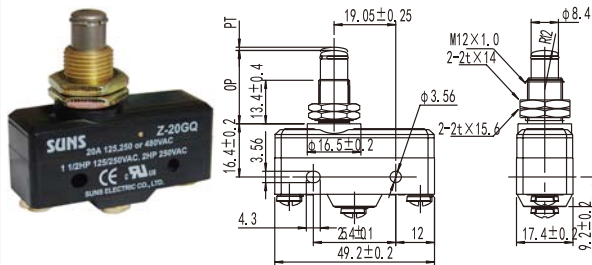
- OF 3.89~6.11N
- RF (Min) 2.78N
- PT (Max) 1.3mm
- OT (Min) 3.58mm
- MD 0.05~0.2mm
- OP 33.4±1.2mm



### Z-20GQ21 & Z-25GQ21

#### Operating Characteristics

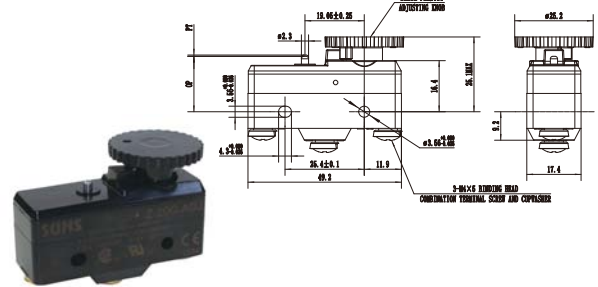
- OF 3.89~6.11N
- RF (Min) 2.78N
- PT (Max) 1.3mm
- OT (Min) 3.58mm
- MD 0.05~0.2mm
- OP 33.4±1.2mm



### Z-20GQ & Z-25GQ

#### Operating Characteristics

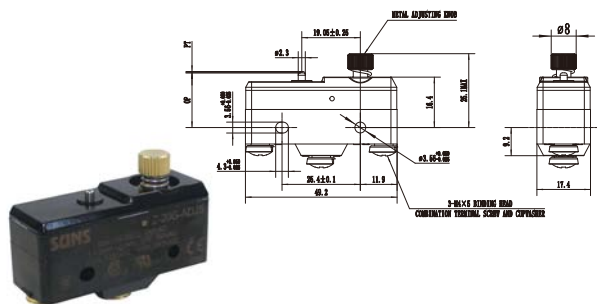
- OF 3.89~6.11N
- RF (Min) 2.78N
- PT (Max) 1.3mm
- OT (Min) 5.56mm
- MD 0.05~0.2mm
- OP 21.8±0.8mm



### Z-20G-ADJ

#### Operating Characteristics

- OF 311-566g
- RF (Min) 283g
- OT (Min) 0.25 mm
- OP 16.27±0.4mm
- DT 0.038 - 0.06mm
- DT (Min) 0.178 mm



### Z-20G-ADJS

#### Operating Characteristics

- OF (Max) 907g
- RF (Min) 283g
- OT (Min) 0.25 mm
- OP 16.27±0.4mm
- DT 0.038 - 0.05mm

## GENERAL-PURPOSE MICRO SWITCHES

### Terminal Dimensions


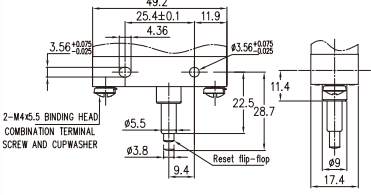

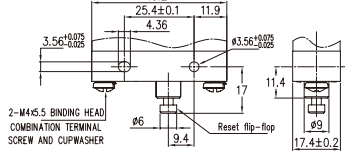

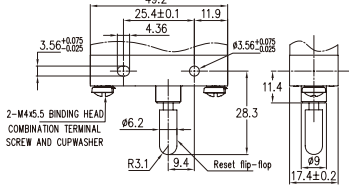
Unit: mm

<p><b>-P0 Screw on Soldering Tab</b></p>	<p><b>-P1 Screw on Soldering Tab</b></p>
<p><b>-P2 Screw on Soldering Tab</b></p>	<p><b>-P3 Screw Terminal</b></p>
<p><b>-P4 Screw Terminal</b></p>	<p><b>-P5 Screw Terminal</b></p>
<p><b>-P6 Screw Terminal</b></p>	<p><b>-P7 Screw Terminal</b></p>
<p><b>-P8 Terminal Potted</b></p>	<p><b>-D6 QC Terminal</b></p>
<p><b>-Q2 30° QC Terminal</b></p>	<p><b>-S1 Screw Terminal</b></p>


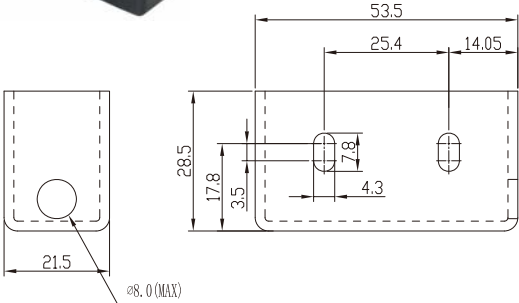

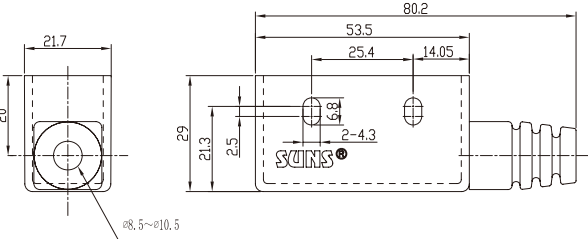



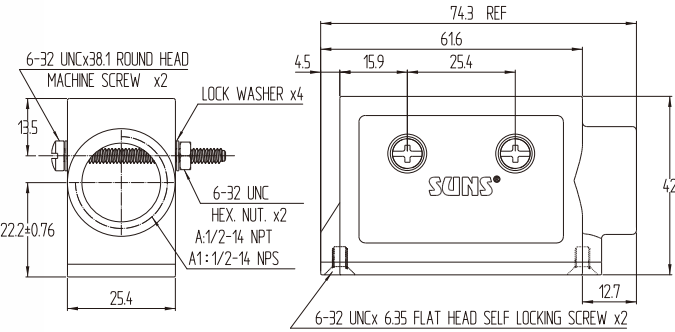
## GENERAL-PURPOSE MICRO SWITCHES

Reset Drawings and Pictures:

<p><b>-R Standard Reset</b></p>   <p>2-M4x5.5 BINDING HEAD COMBINATION TERMINAL SCREW AND CUPWASHER</p>	<p><b>-R1 Short Reset</b></p>   <p>2-M4x5.5 BINDING HEAD COMBINATION TERMINAL SCREW AND CUPWASHER</p>
<p><b>-R2 Long Reset</b></p>   <p>2-M4x5.5 BINDING HEAD COMBINATION TERMINAL SCREW AND CUPWASHER</p>	

Accessories:

<p><b>ZC-1</b> Protective sleeve</p>  	<p><b>ZC-2</b> Protective sleeve</p>  
---	---

<p><b>ZCM-A</b> <b>ZCM-A1</b></p> 	<p>Protective metal enclosure 1/2" NPT conduit Protective metal enclosure 1/2" NPS conduit</p> 
---	---